

Loudspeaker Model: L4



Weather-proof loudspeaker for industrial applications.

SPECIFICATION

Constant pressure Speaker with built-in transformer

Freq.Range: 400-8KHz(-20dB)

SPL(1W/M):110+3dB

Input Power:70/100V 30W

Output power:0-30W-15W-10W

Rated SPL:125+3dB

Mounting:"U"Bracket with Screw

M& Finish:L4A: ABS (Acrylonitrile Butadiene Styrene)

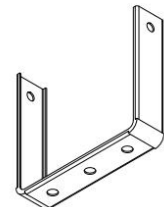
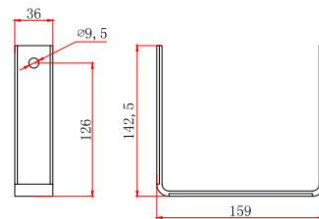
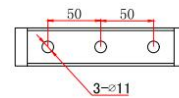
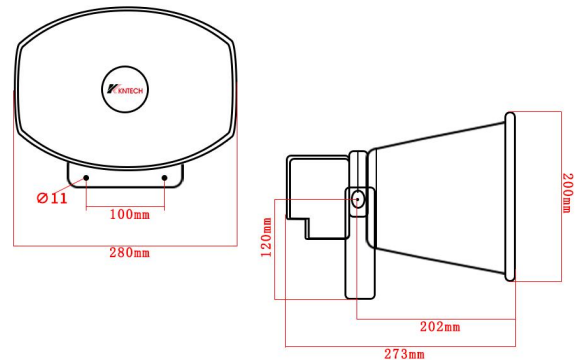
M& Finish:L4B: Aluminum/White Powder PaintingColor: White

Dimension:p280*200*273

IP Level: IP67

Inner packing box:290*210*285 G.W.2.2kg 1pcs packing

Packing:570*580*425 G.W.9KG8pcs in one big box.



Web: www.koontech.com

Email: marketing@koontech.com

Tel: (HK Office) +852 9068 2799 / (Shenzhen Office) +0086 0755 2744 8753

Shenzhen Office: T3 1001, Yifang Center, Baoan, Shezhen, China

HK Office: Unit C5, 11/F, Ka To Factory Building, 2 Cheung Yue Street, Cheung Sha Wan, Kowloon, Hong Kong

Factory: KNTECH Building, Phoenix Mountain, Limhai Zone, Shajiao Community, Humen, Dongguan, China